



Selection: Semi-hermetic Reciprocating Compressors

Input Values

Compressor model	(4CC-6.2Y)	Suction gas temperature	20,00 °C
Mode	Refrigeration and Air conditioning	Operating mode	Auto
Refrigerant	R404A	Power supply	400V-3-50Hz
Reference temperature	Dew point temp.	Capacity control	100%
Liq. subc. (in condenser)	0 K	Useful superheat	100%

Result

Q [W]	Cooling capacity	COP [-]	COP/EER
Qu* [W]	Evaporator capacity	m [kg/h]	Mass flow
P [kW]	Power input	Op.	Operating mode
I [A]	Current	th [°C]	Discharge gas temp. w/o cooling
Qc [W]	Condenser capacity		

tc	to	-5°C	-10°C	-15°C	-20°C	-25°C	-30°C	-35°C	-40°C
30°C	Q [W]	24971	20648	16905	13677	10904	8537	6528	4836
	Qu* [W]	24971	20648	16905	13677	10904	8537	6528	4836
	P [kW]	6,65	6,36	5,98	5,52	5,01	4,45	3,86	3,25
	I [A]	11,73	11,31	10,79	10,19	9,54	8,86	8,20	7,57
	Qc [W]	31625	27005	22881	19199	15915	12990	10391	8088
	COP [-]	3,75	3,25	2,83	2,48	2,18	1,92	1,69	1,49
	m [kg/h]	627	514	417	335	266	207	157,5	116,3
	Op.	Standard	Standard	Standard	Standard	Standard	Standard	Standard	Standard
	th [°C]	70,6	77,7	85,3	93,4	102,1	111,6	122,0	133,7
40°C	Q [W]	21143	17432	14211	11426	9030	6981	5240	3770
	Qu* [W]	21143	17432	14211	11426	9030	6981	5240	3770
	P [kW]	7,64	7,17	6,63	6,03	5,37	4,67	3,94	3,21
	I [A]	13,14	12,47	11,70	10,86	9,99	9,12	8,29	7,53
	Qc [W]	28780	24606	20844	17453	14398	11651	9184	6976
	COP [-]	2,77	2,43	2,14	1,90	1,68	1,50	1,33	1,18
	m [kg/h]	599	488	394	314	247	189,7	141,7	101,6
	Op.	Standard	Standard	Standard	Standard	Standard	Standard	Standard	Standard
	th [°C]	82,0	89,4	97,3	105,7	114,8	124,6	135,4	0
50°C	Q [W]	17323	14221	11523	9186	7175	5456	3996	2768
	Qu* [W]	17323	14221	11523	9186	7175	5456	3996	2768
	P [kW]	8,61	7,98	7,28	6,51	5,71	4,87	4,01	3,14
	I [A]	14,57	13,64	12,61	11,53	10,43	9,36	8,35	7,46
	Qc [W]	25933	22200	18799	15700	12882	10322	8001	5905
	COP [-]	2,01	1,78	1,58	1,41	1,26	1,12	1,00	0,88
	m [kg/h]	568	460	369	292	226	170,7	124,4	85,8
	Op.	Standard	Standard	Standard	Standard	Standard	Standard	Standard	Standard
	th [°C]	94,4	102,2	110,5	119,6	129,4	0	0	0

-- No calculation possible (see message in single point selection)

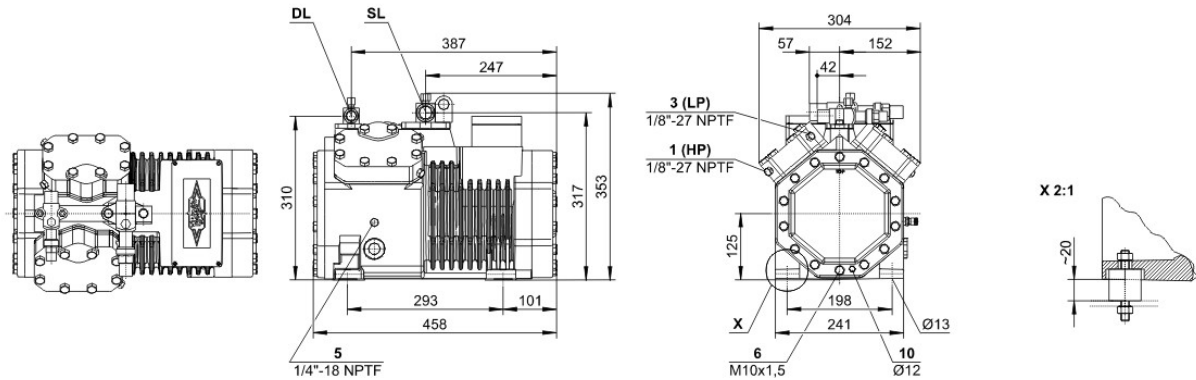
*According to EN12900 (20°C suction gas temp., 0K liquid subcooling)

Application Limits 100% Octagon 4CC-6.2



Technical Data: (4CC-6.2Y)

Dimensions and Connections



Technical Data

Technical Data

Displacement (1450 RPM 50Hz)	32,48 m ³ /h
Displacement (1750 RPM 60Hz)	39,20 m ³ /h
No. of cylinder x bore x stroke	4 x 55 mm x 39,3 mm
Weight	90,5 kg
Max. pressure (LP/HP)	19 / 28 bar
Connection suction line	28 mm - 1 1/8"
Connection discharge line	22 mm - 7/8"
Oil type R134a/R407C/R404A/R507A/R407A/R407F	tc<55°C: BSE32 tc>55°C: BSE55 (Option)
Oil type R22 (R12/R502)	B5.2 (Standard)
Oil type R290/R1270	SHC226E (Standard)

Motor data

Motor voltage (more on request)	380-420V Y-3-50Hz
Max operating current	15.9 A
Starting current (Rotor locked)	82.4 A
Max. Power input	9,0 kW

Extent of delivery (Standard)

Motor protection	SE-B1
Enclosure class	IP65
Vibration dampers	Standard
Oil charge	2,00 dm ³

Available Options

Discharge gas temperature sensor	Option
Start unloading	Option
Capacity control	100-50% (Option)
Additional fan	Option
Crankcase heater	0..120 W PTC (Option)
Oil level monitoring	OLC-K1 (Option, not for R290/R1270)

Sound measurement

Sound power level (-10°C / 45°C)	72,5 dB(A) @ 50Hz
Sound power level (-35°C / 40°C)	76,0 dB(A) @ 50Hz
Sound pressure level @ 1m (-10°C / 45°C)	64,5 dB(A) @ 50Hz
Sound pressure level @ 1m (-35°C / 40°C)	68,0 dB(A) @ 50Hz



Selection: Semi-hermetic Reciprocating Compressors

Input Values

Compressor model	(4CC-9.2Y)	Suction gas temperature	20,00 °C
Mode	Refrigeration and Air conditioning	Operating mode	Auto
Refrigerant	R404A	Power supply	400V-3-50Hz
Reference temperature	Dew point temp.	Capacity control	100%
Liq. subc. (in condenser)	0 K	Useful superheat	100%

Result

Q [W]	Cooling capacity	COP [-]	COP/EER
Qu* [W]	Evaporator capacity	m [kg/h]	Mass flow
P [kW]	Power input	Op.	Operating mode
I [A]	Current	th [°C]	Discharge gas temp. w/o cooling
Qc [W]	Condenser capacity		

tc	to	-5°C	-10°C	-15°C	-20°C	-25°C	-30°C	-35°C	-40°C
30°C	Q [W]	24924	20610	16877	13656	10892	8532	6530	4844
	Qu* [W]	24924	20610	16877	13656	10892	8532	6530	4844
	P [kW]	6,64	6,36	5,98	5,53	5,01	4,45	3,86	3,25
	I [A]	11,71	11,32	10,81	10,20	9,54	8,86	8,19	7,57
	Qc [W]	31569	26971	22861	19187	15906	12983	10387	8090
	COP [-]	3,75	3,24	2,82	2,47	2,17	1,92	1,69	1,49
	m [kg/h]	626	513	416	334	265	207	157,5	116,5
	Op.	Standard	Standard	Standard	Standard	Standard	Standard	Standard	Standard
	th [°C]	70,6	77,8	85,5	93,6	102,2	111,6	121,9	133,4
40°C	Q [W]	21095	17413	14213	11442	9052	7002	5252	3768
	Qu* [W]	21095	17413	14213	11442	9052	7002	5252	3768
	P [kW]	7,64	7,18	6,63	6,02	5,36	4,66	3,94	3,20
	I [A]	13,14	12,47	11,70	10,86	9,99	9,11	8,28	7,52
	Qc [W]	28733	24588	20846	17466	14415	11665	9192	6972
	COP [-]	2,76	2,43	2,14	1,90	1,69	1,50	1,33	1,18
	m [kg/h]	597	487	394	315	247	190,3	142,1	101,5
	Op.	Standard	Standard	Standard	Standard	Standard	Standard	Standard	Standard
	th [°C]	82,1	89,5	97,3	105,6	114,5	124,3	135,1	0
50°C	Q [W]	17378	14306	11619	9276	7241	5480	3962	2658
	Qu* [W]	17378	14306	11619	9276	7241	5480	3962	2658
	P [kW]	8,61	7,98	7,28	6,52	5,71	4,87	4,01	3,14
	I [A]	14,57	13,64	12,61	11,54	10,44	9,36	8,36	7,46
	Qc [W]	25989	22285	18896	15793	12951	10351	7971	5795
	COP [-]	2,02	1,79	1,60	1,42	1,27	1,13	0,99	0,85
	m [kg/h]	570	463	372	294	228	171,5	123,3	82,3
	Op.	Standard	Standard	Standard	Standard	Standard	Standard	Standard	Standard
	th [°C]	94,2	101,9	110,1	118,9	128,7	139,8	0	0

-- No calculation possible (see message in single point selection)

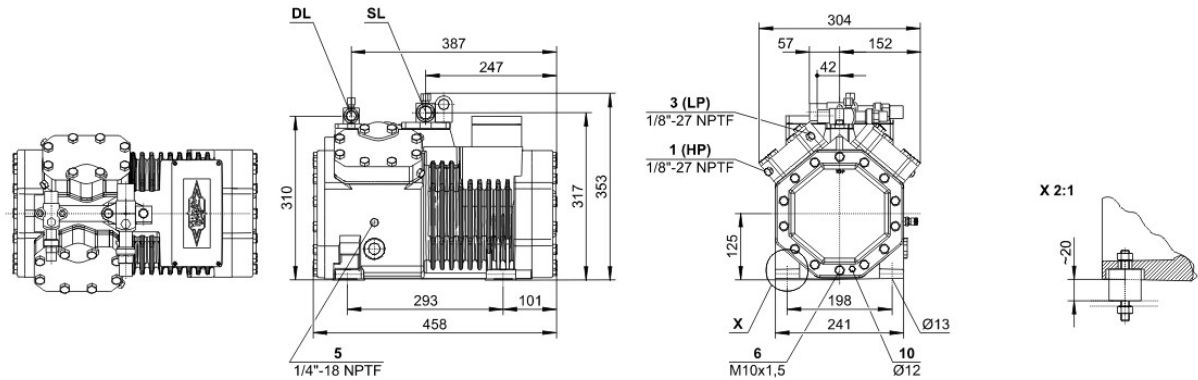
*According to EN12900 (20°C suction gas temp., 0K liquid subcooling)

Application Limits 100% Octagon 4CC-9.2



Technical Data: (4CC-9.2Y)

Dimensions and Connections



Technical Data

Technical Data

Displacement (1450 RPM 50Hz)	32,48 m ³ /h
Displacement (1750 RPM 60Hz)	39,20 m ³ /h
No. of cylinder x bore x stroke	4 x 55 mm x 39,3 mm
Weight	90,5 kg
Max. pressure (LP/HP)	19 / 28 bar
Connection suction line	28 mm - 1 1/8"
Connection discharge line	22 mm - 7/8"
Oil type R134a/R407C/R404A/R507A/R407A/R407F	tc<55°C: BSE32 tc>55°C: BSE55 (Option)
Oil type R22 (R12/R502)	B5.2 (Standard)
Oil type R290/R1270	SHC226E (Standard)

Motor data

Motor voltage (more on request)	380-420V Y-3-50Hz
Max operating current	20.0 A
Starting current (Rotor locked)	82.4 A
Max. Power input	11,8 kW

Extent of delivery (Standard)

Motor protection	SE-B1
Enclosure class	IP65
Vibration dampers	Standard
Oil charge	2,00 dm ³

Available Options

Discharge gas temperature sensor	Option
Start unloading	Option
Capacity control	100-50% (Option)
Additional fan	Option
Crankcase heater	0..120 W PTC (Option)
Oil level monitoring	OLC-K1 (Option, not for R290/R1270)

Sound measurement

Sound power level (+5°C / 50°C)	73,5 dB(A) @ 50Hz
Sound power level (-10°C / 45°C)	72,5 dB(A) @ 50Hz
Sound power level (-35°C / 40°C)	(76,0) dB(A) @ 50Hz
Sound pressure level @ 1m (+5°C / 50°C)	65,5 dB(A) @ 50Hz
Sound pressure level @ 1m (-10°C / 45°C)	64,5 dB(A) @ 50Hz
Sound pressure level @ 1m (-35°C / 40°C)	(68,0) dB(A) @ 50Hz